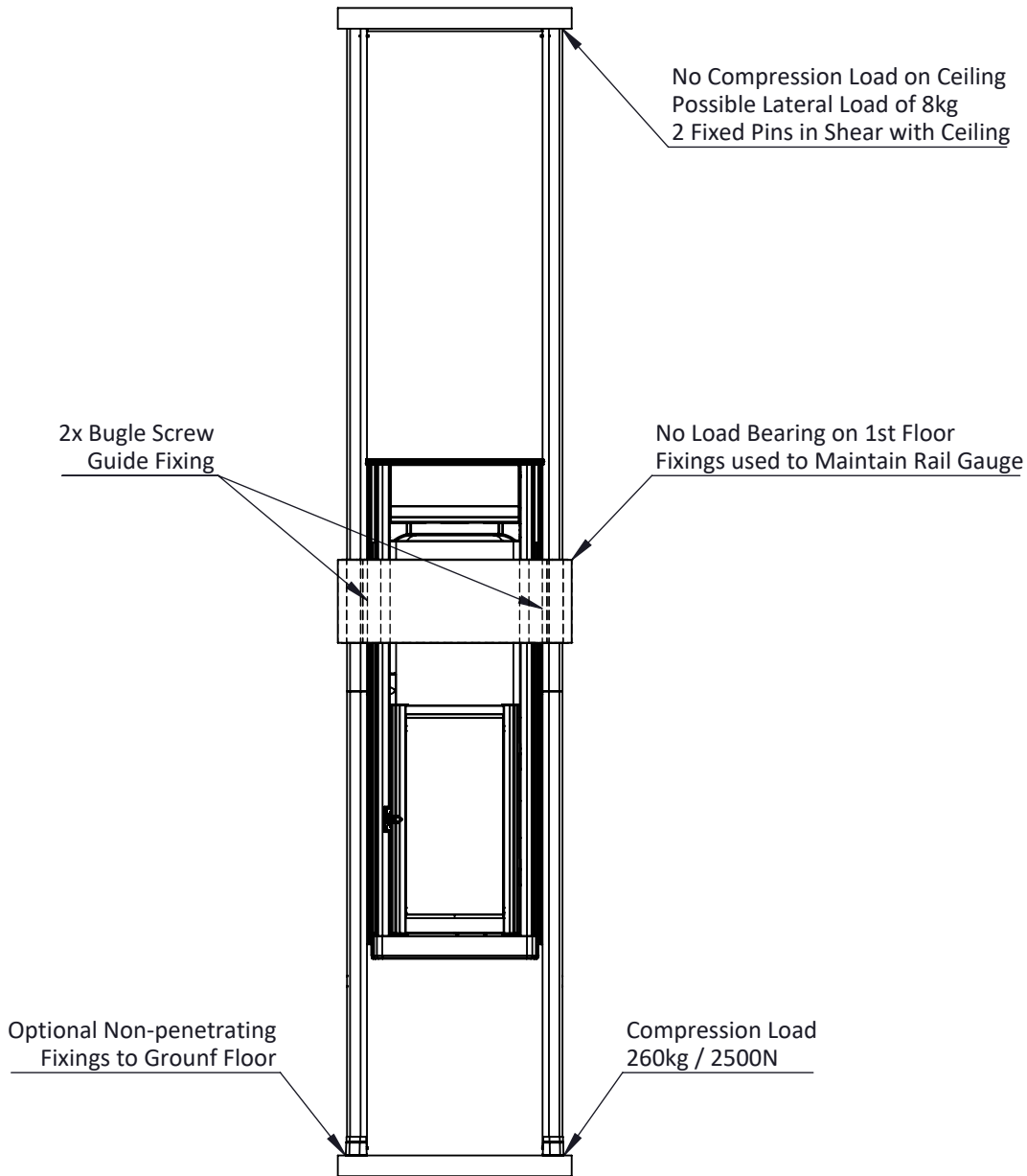










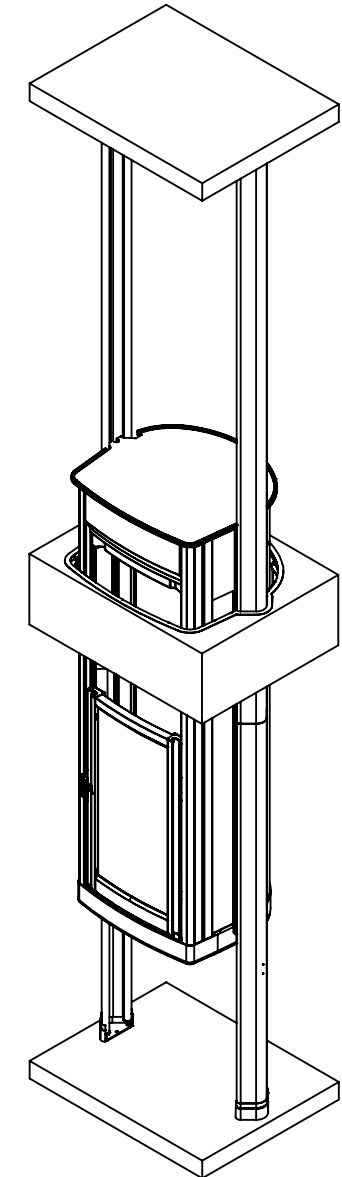
Rev	Description	Rev Date	Rev By
2	Activation was Button	05/2017	JMG



Technical Information:

Elegance

-  **DRIVE SYSTEM:**
Rope Drum, Braked Gear Motor Drive
-  **CAPACITY:**
MAX Capacity 170kg / 2 Persons
-  **TRAVEL:**
Up to 4000mm
-  **NO of FLOORS:**
2 Maximum
-  **SUPPLY VOLTAGE:**
240v 1PH 50HZ
-  **RUNNING CURRENT:**
2.5 AMP
-  **STARTING CURRENT:**
3.5 AMP
-  **STANDARD COLOUR:**
Agate Grey - RAL 7038



Elegance

Compact Home Lifts

© Compact Home Lifts 2017

Drawn JMG

Date 05/2017

TITLE Elegance Lift Installation



THIRD ANGLE PROJECTION - AS 1100

DIMENSIONS IN MM UNLESS OTHERWISE NOTED

A4

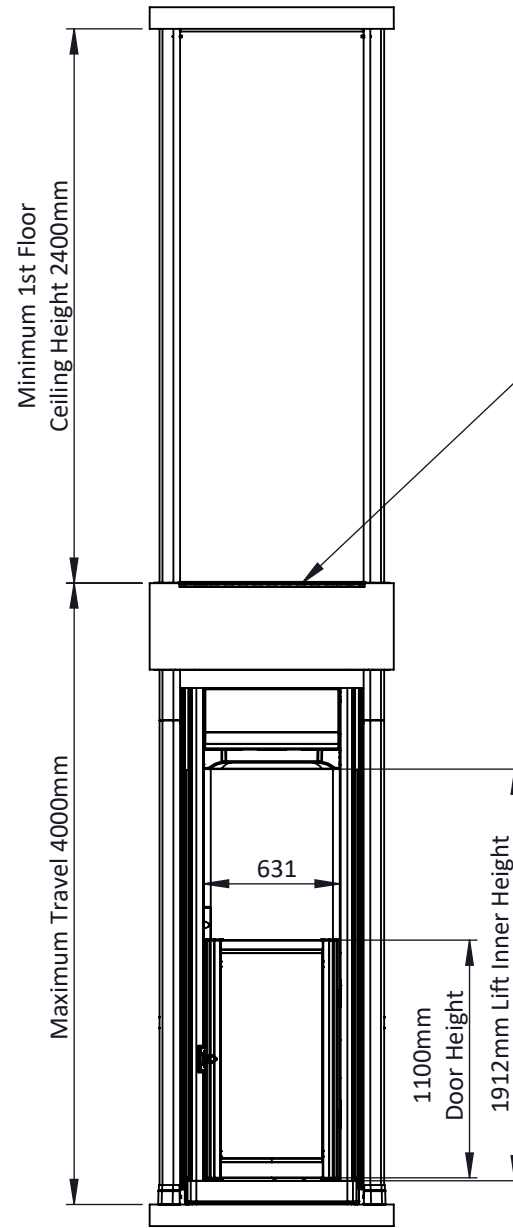
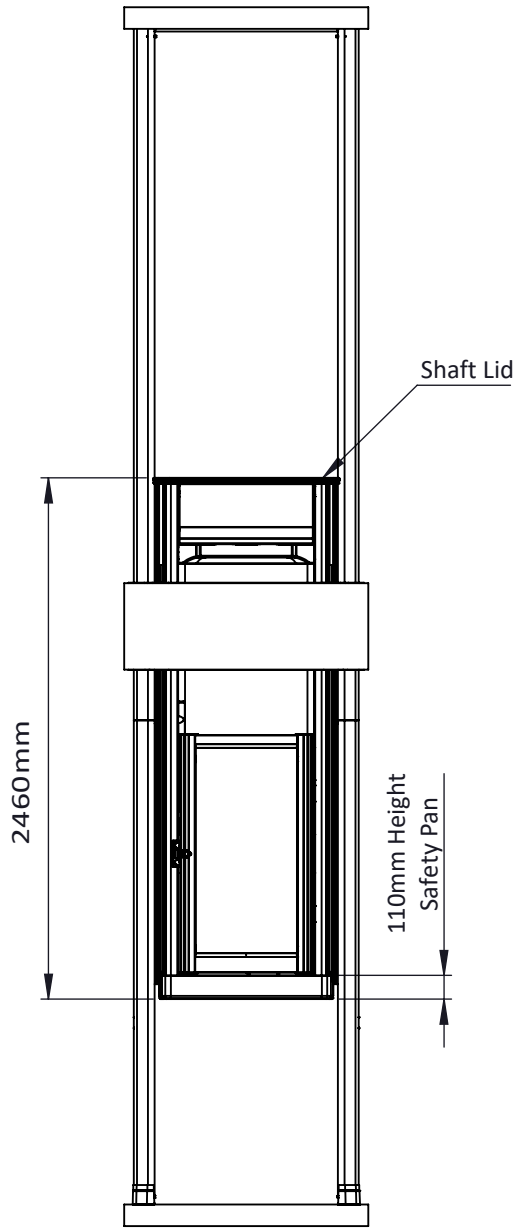
Dwg No

SCALE:

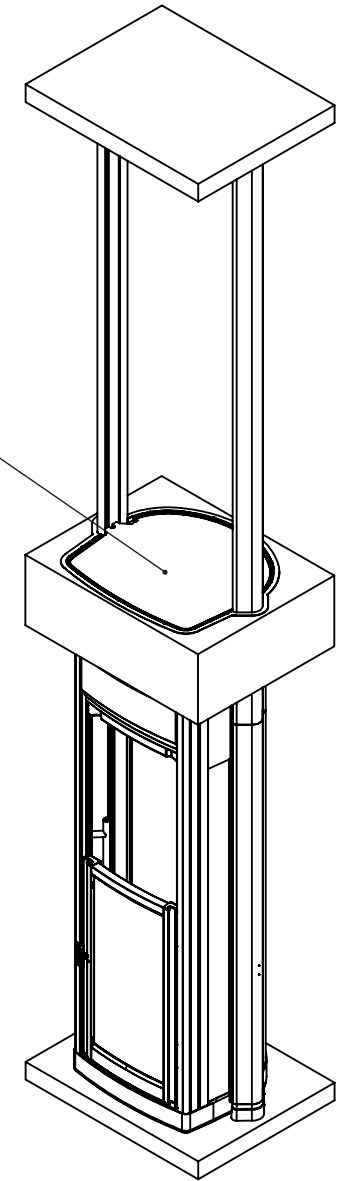
Rev

2

Rev	Description	Rev Date	Rev By
2	Activation was Button	05/2017	JMG



Shaft Lid



Standard Application



Elegance

Compact Home **Lifts**

©Compact Home Lifts 2017

Drawn JMG

Date 05/2017

TITLE Elegance Lift Installation



THIRD ANGLE PROJECTION - AS 1100

DIMENSIONS IN MM UNLESS OTHERWISE NOTED

A4

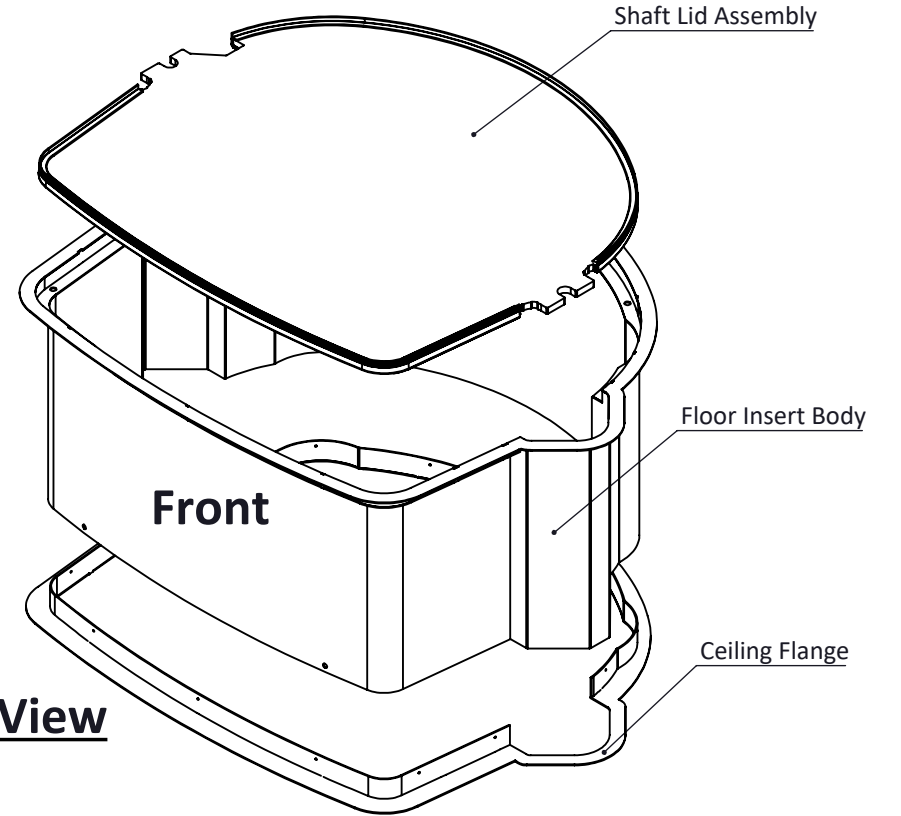
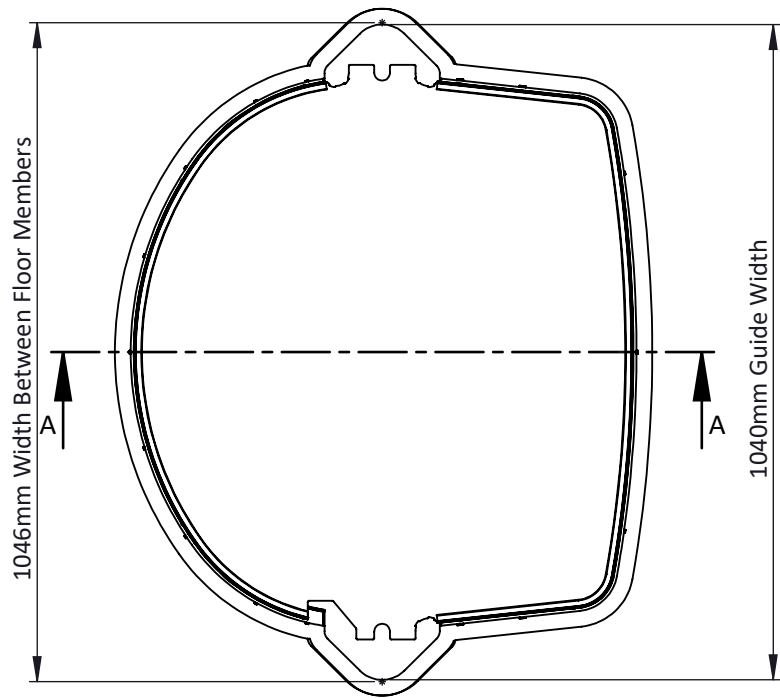
Dwg No

SCALE:

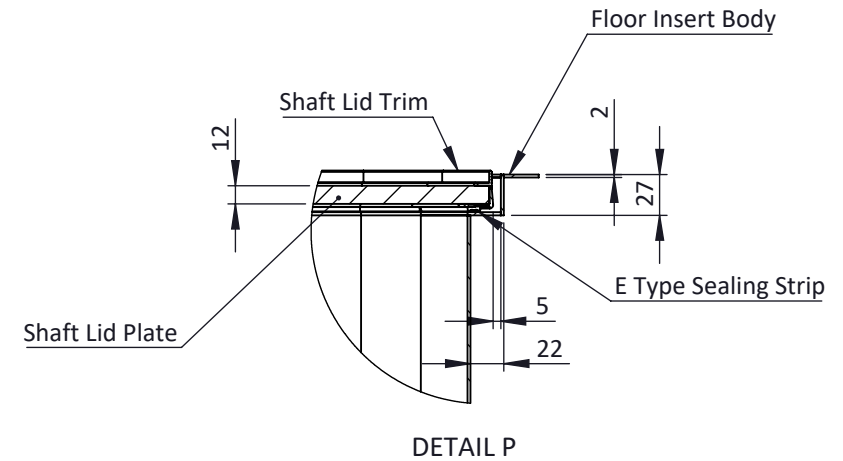
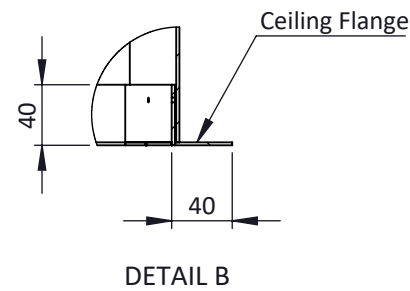
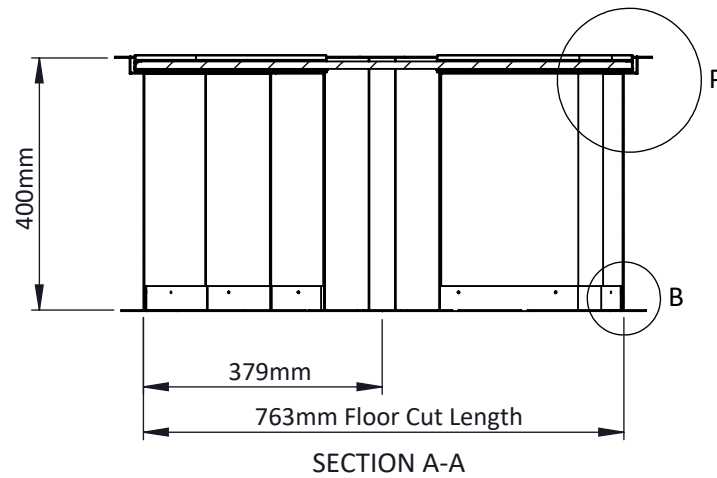
Rev

2

Rev	Description	Rev Date	Rev By
2	Activation was Button	05/2017	JMG



Explode View



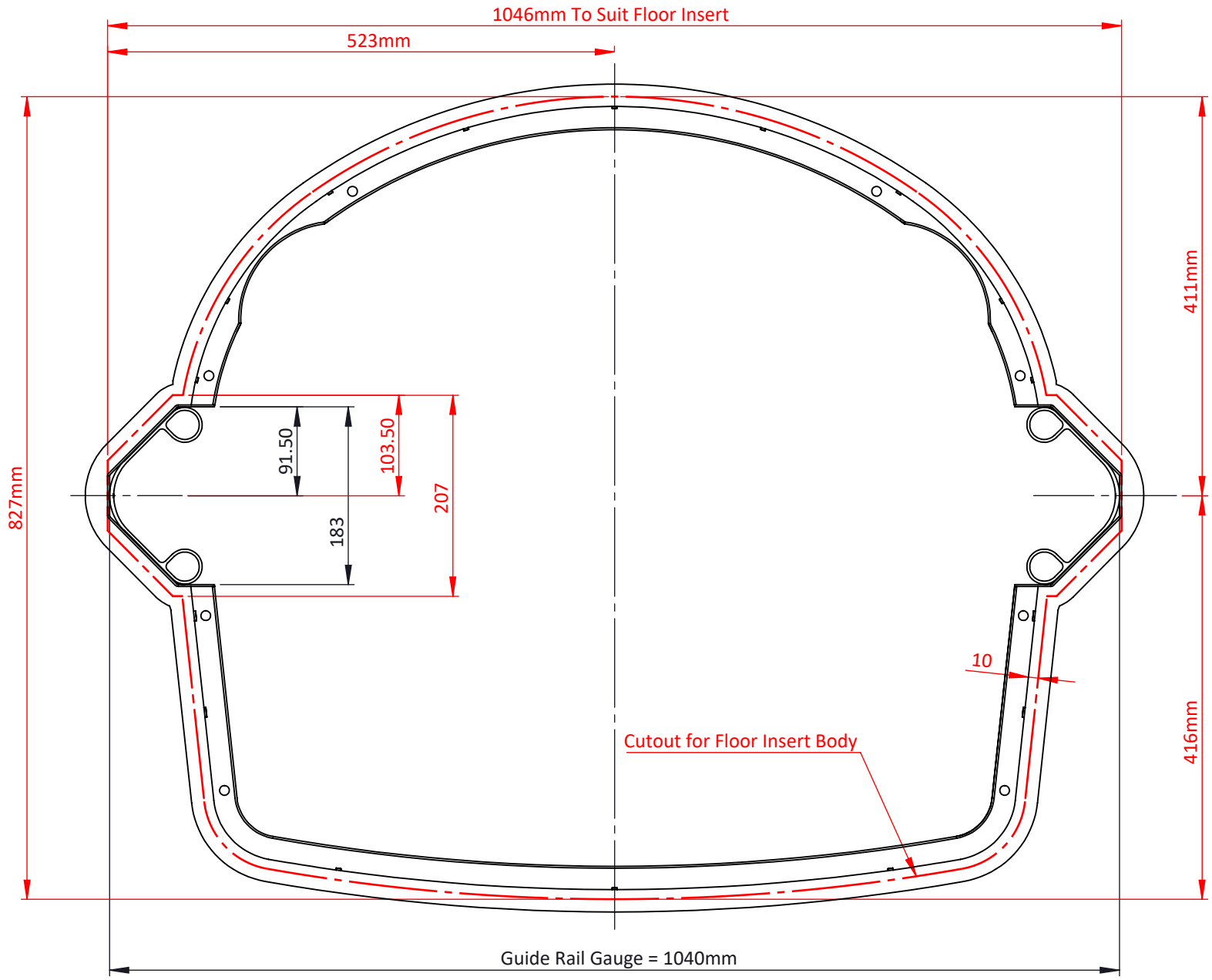
Elegance

Compact Home **Lifts**

© Compact Home Lifts 2017	
Drawn JMG	Date 05/2017
DIMENSIONS IN MM UNLESS OTHERWISE NOTED	
THIRD ANGLE PROJECTION - AS 1100	

TITLE Elegance Floor Insert Body & Shaft Lid Assembly	
A4	Dwg No
SCALE:	Rev 2

Rev	Description	Rev Date	Rev By
2	Activation was Button	05/2017	JMG



**Template Tol.
+3 / -1**



Elegance

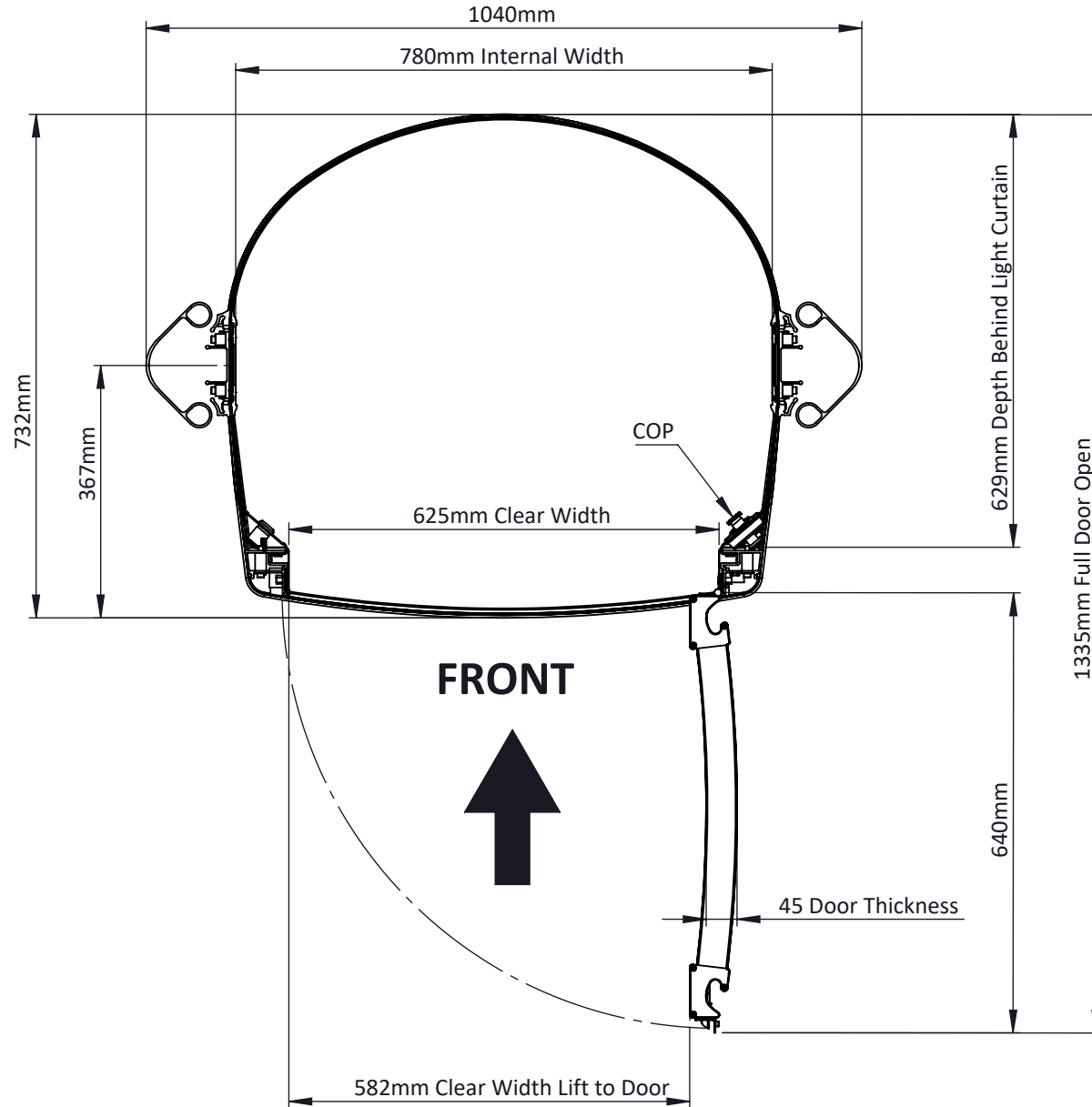
Compact Home **Lifts**

©Compact Home Lifts 2017		TITLE
Drawn JMG	Date 05/2017	Elegance Floor Insert Cutout Sizes
THIRD ANGLE PROJECTION - AS 1100		DIMENSIONS IN MM UNLESS OTHERWISE NOTED

A4	Dwg No	Rev
	SCALE:	2

Rev	Description	Rev Date	Rev By
2	Activation was Button	05/2017	JMG

Doors can operate in RH and LH Positions



Elegance

Compact Home Lifts

© Compact Home Lifts 2017

Drawn JMG Date 05/2017



THIRD ANGLE PROJECTION - AS 1100

DIMENSIONS IN MM UNLESS OTHERWISE NOTED

TITLE
Elegance Lift Car Configuration

A4

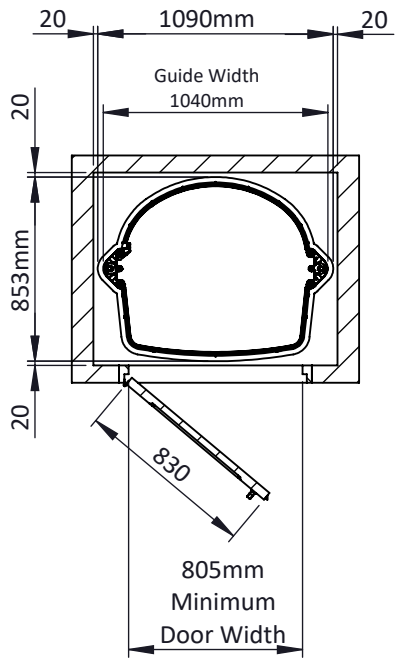
Dwg No

SCALE:

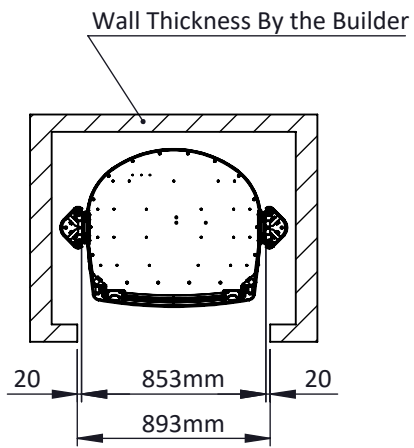
Rev
2

Rev	Description	Rev Date	Rev By
2	Activation was Button	05/2017	JMG

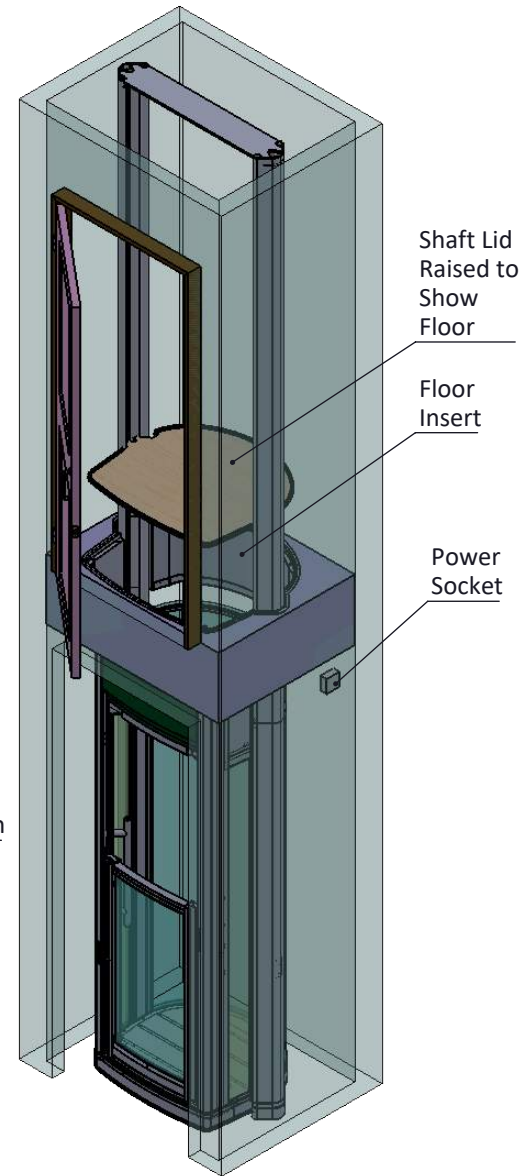
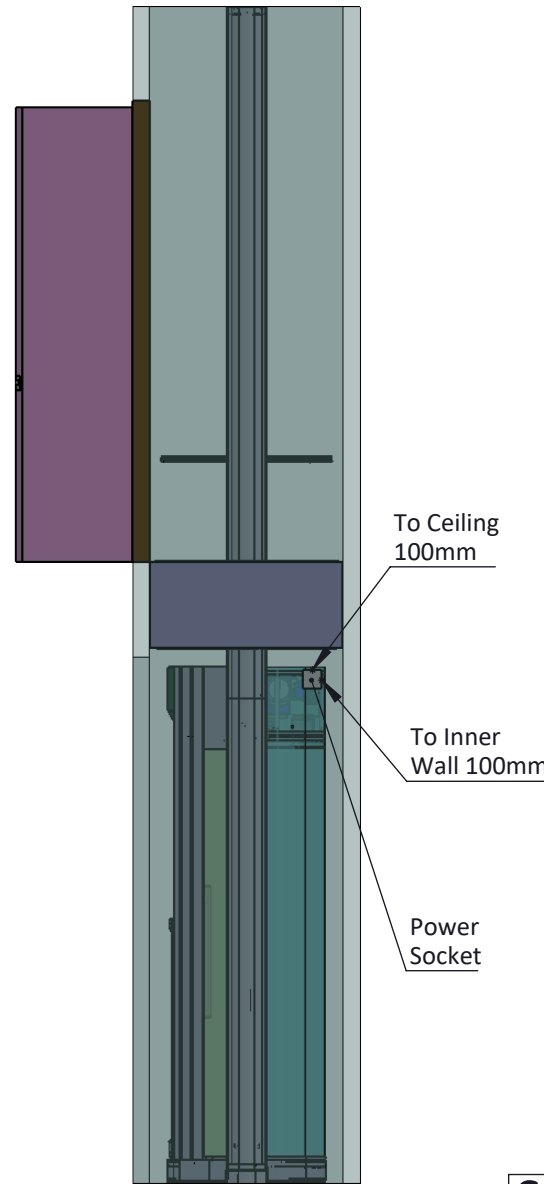
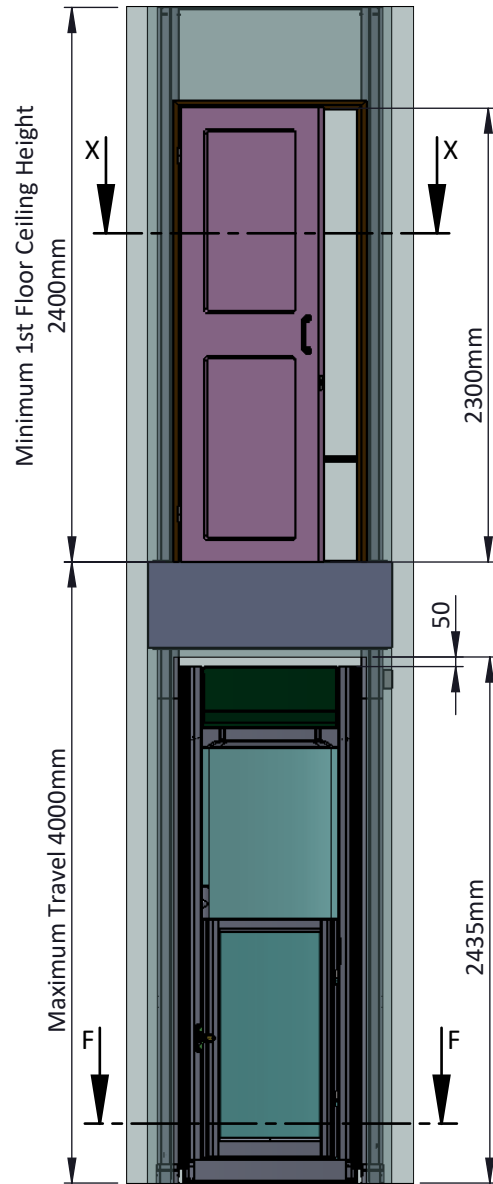
Bottom Door & Frame removed For Lift Installation



SECTION X-X



SECTION F-F



Shaft Application



Elegance

Compact Home Lifts

©Compact Home Lifts 2017

Drawn JMG

Date 05/2017



THIRD ANGLE PROJECTION - AS 1100

DIMENSIONS IN MM UNLESS OTHERWISE NOTED

TITLE
Elegance Lift Shaft Information

A4

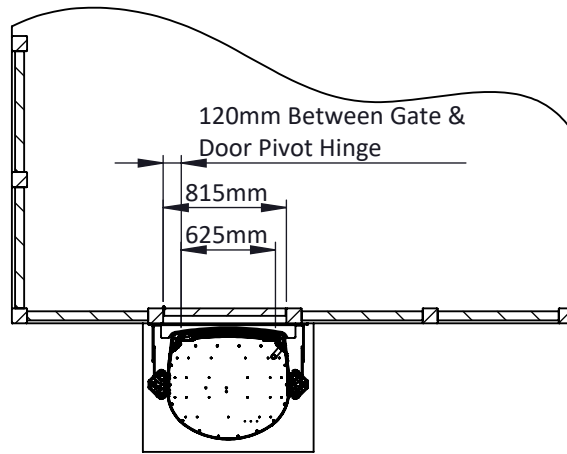
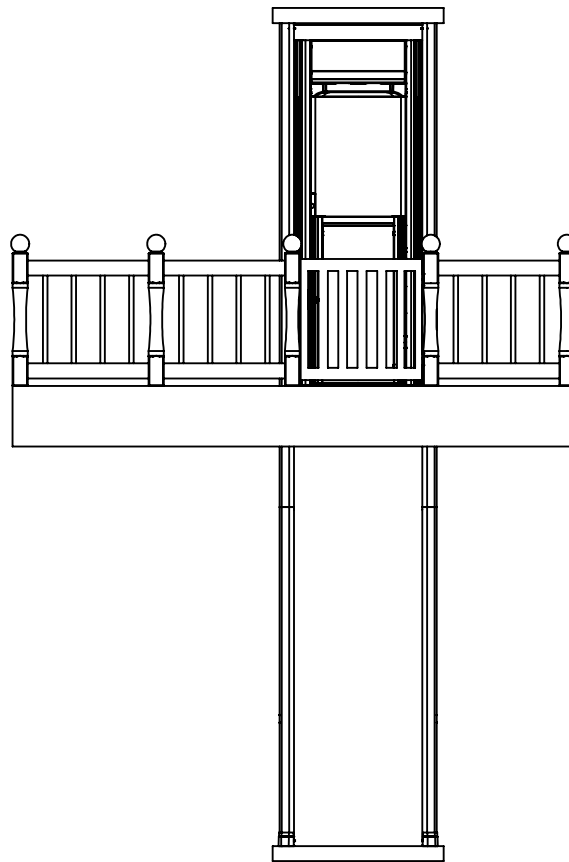
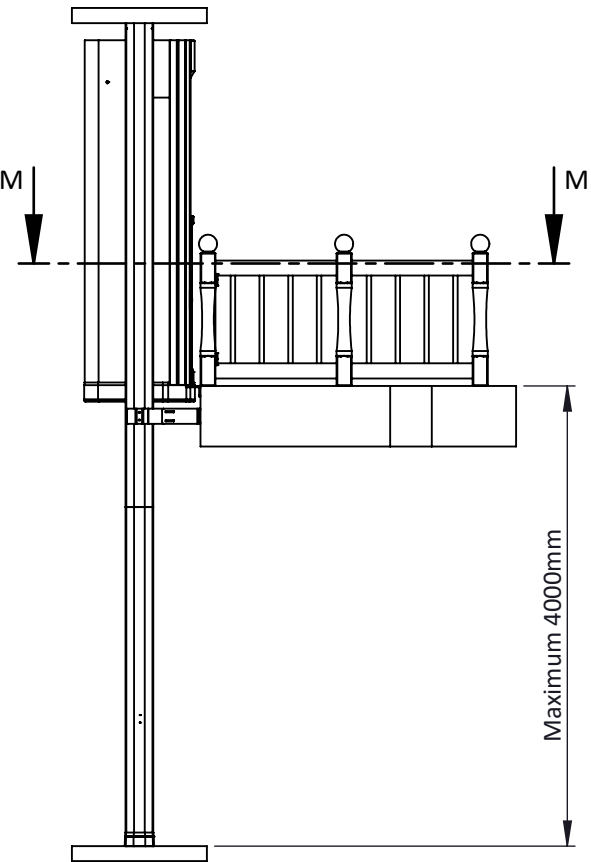
Dwg No

SCALE:

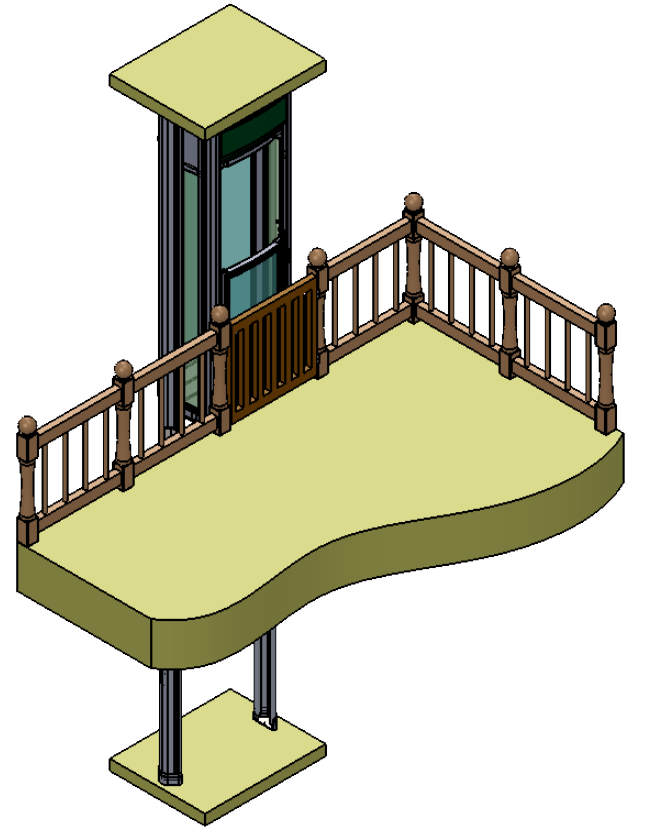
Rev

2

Rev	Description	Rev Date	Rev By
2	Activation was Button	05/2017	JMG



SECTION M-M



Door & Gate Close



Elegance

Compact Home Lifts

© Compact Home Lifts 2017

Drawn JMG

Date 05/2017



THIRD ANGLE PROJECTION - AS 1100

DIMENSIONS IN MM UNLESS OTHERWISE NOTED

TITLE
Elegance Lift Void Application

A4

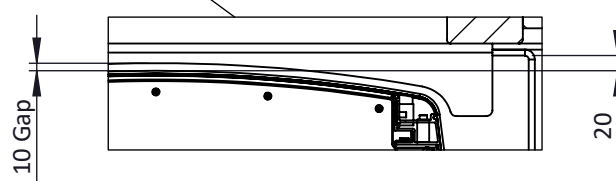
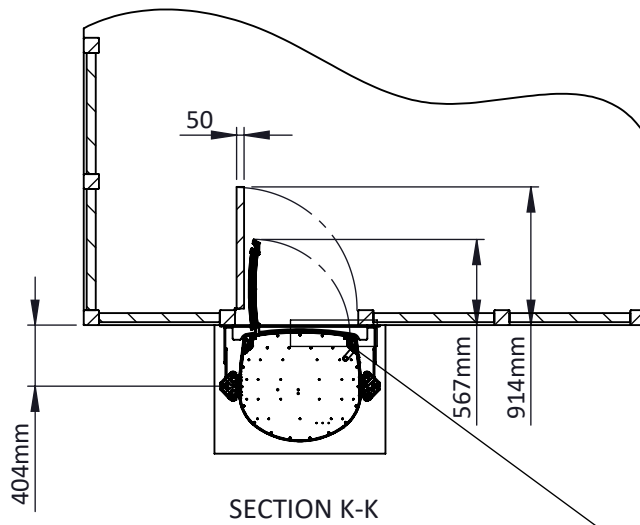
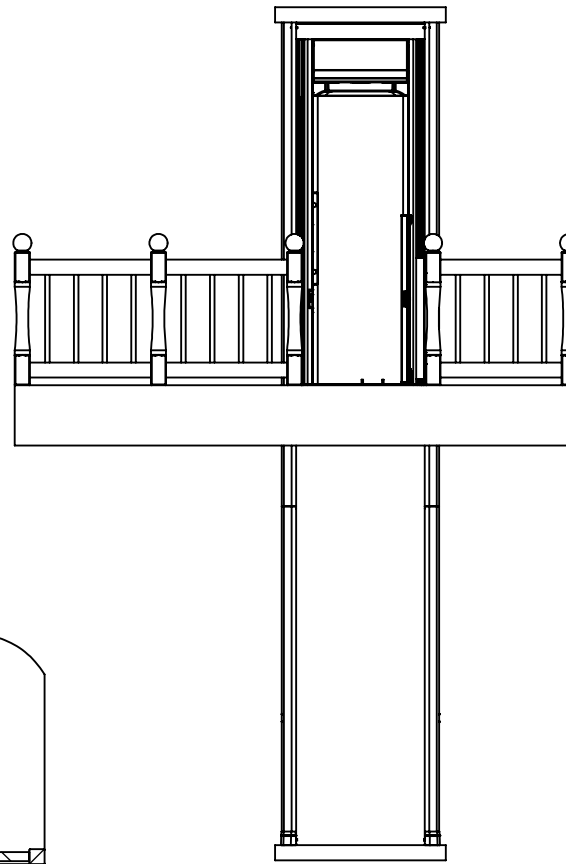
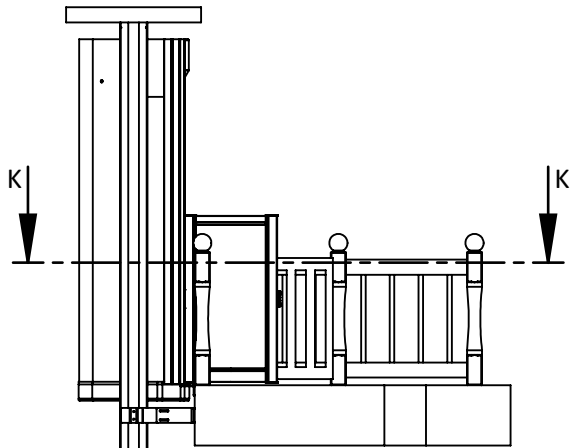
Dwg No

SCALE:

Rev

2

Rev	Description	Rev Date	Rev By
2	Activation was Button	05/2017	JMG



Door & Gate Open



Elegance

Compact Home **Lifts**

© Compact Home Lifts 2017

Drawn JMG

Date 05/2017



THIRD ANGLE PROJECTION - AS 1100

DIMENSIONS IN MM UNLESS OTHERWISE NOTED

TITLE
Elegance Lift Void Application

A4

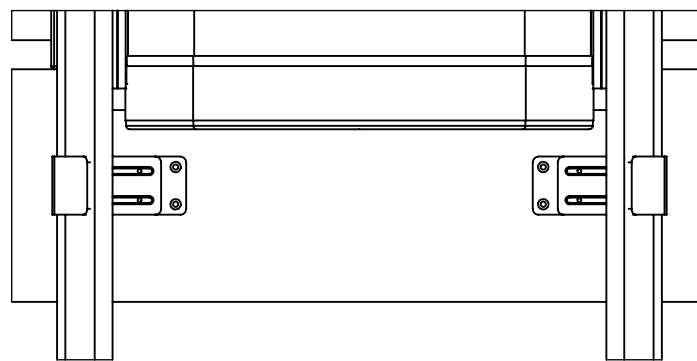
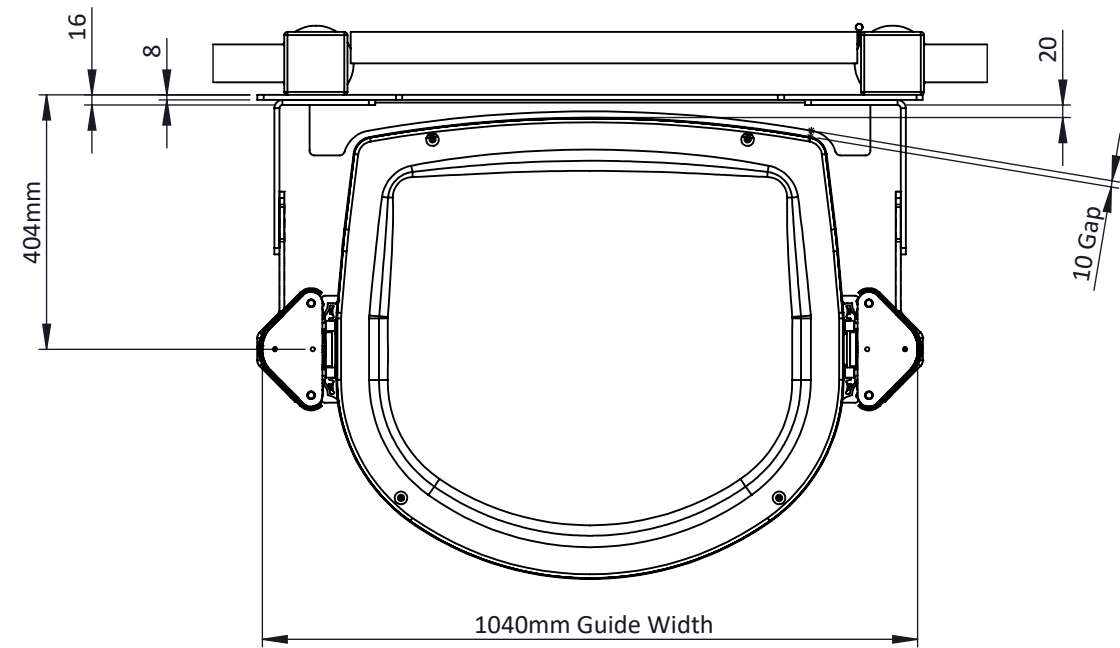
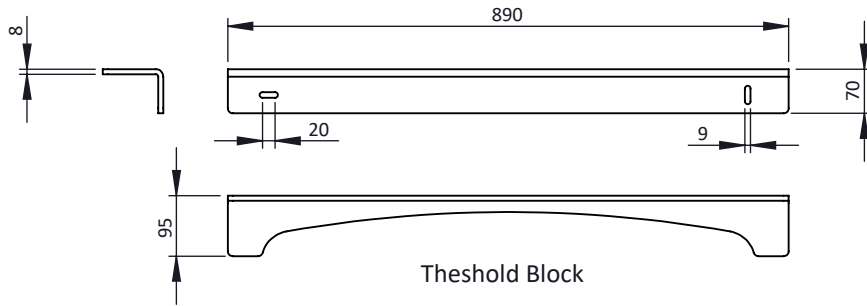
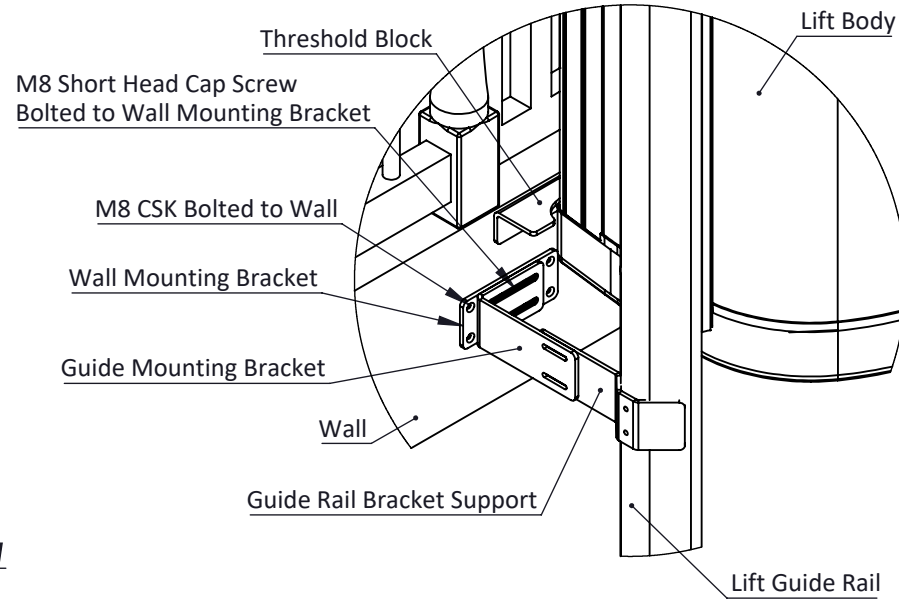
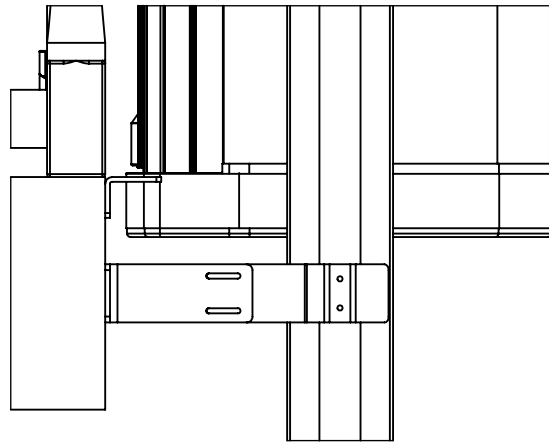
Dwg No

SCALE:

Rev

2

Rev	Description	Rev Date	Rev By
2	Activation was Button	05/2017	JMG



Elegance

Compact Home Lifts

© Compact Home Lifts 2017
 Drawn JMG Date 05/2017
 DIMENSIONS IN MM UNLESS OTHERWISE NOTED
 THIRD ANGLE PROJECTION - AS 1100

TITLE Elegance Lift Void Bolting Arrangement
 Dwg No A4 SCALE: Rev 2

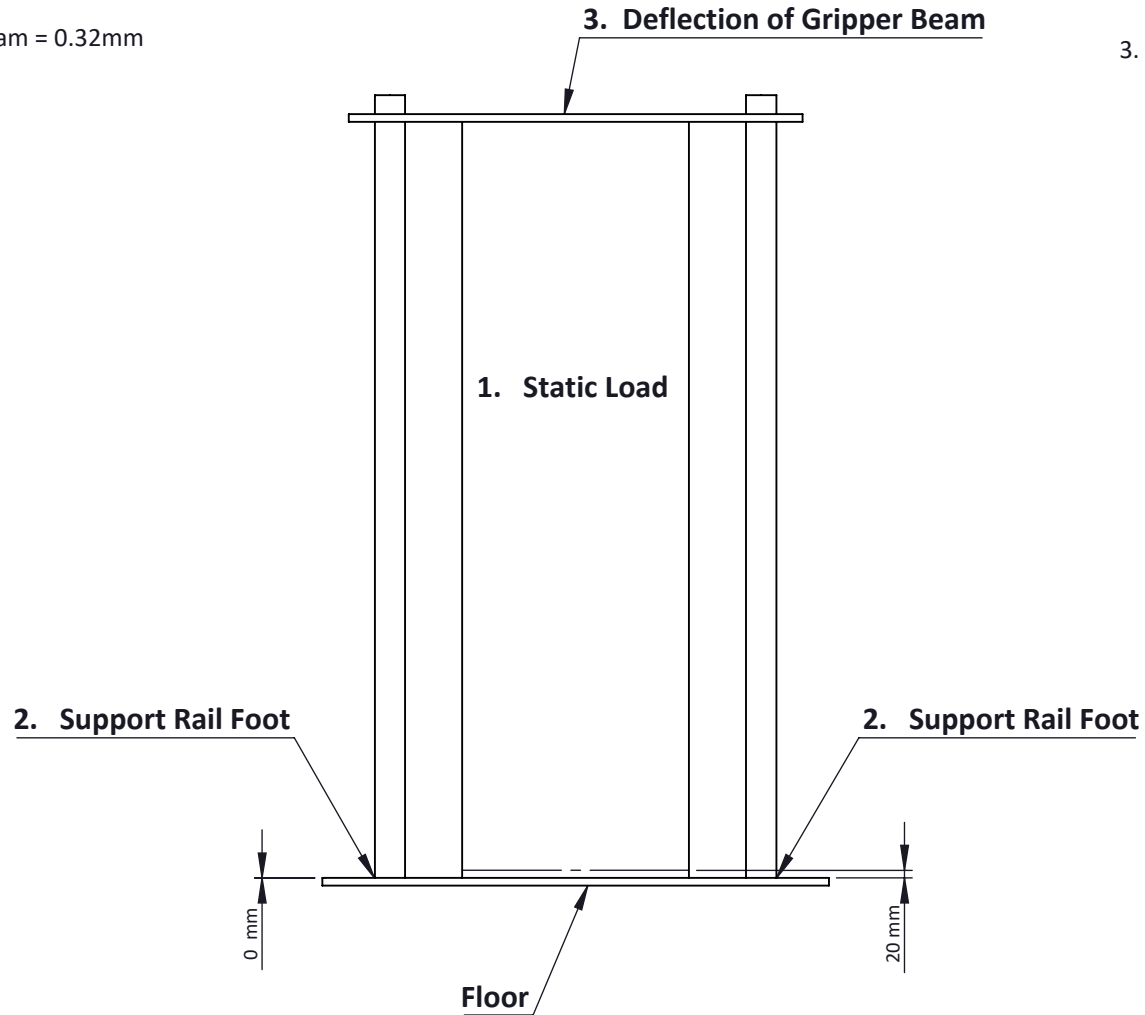
Rev	Description	Rev Date	Rev By
2	Activation was Button	05/2017	JMG

Before Emergency Activation ²

1. Static Load = 357.4 Kg (Lift 187 Kg + 2 persons 170 Kg + Additional Load on Floor 0.4 Kg)
2. Support Each Rail Foot = 178.7 Kg
3. Deflection of Gripper Beam = 0.32mm

After Emergency Activation ²

1. Static Load = 364.6 Kg (Lift 187 Kg + 2 persons 170 Kg + Additional Load 20mm above Floor 7.6 Kg)
2. Support Each Rail Foot = 182.3 Kg
3. Deflection of Gripper Beam = 0.33mm



Elegance

Compact Home **Lifts**

© Compact Home Lifts 2017		TITLE	
Elegance Lift Static Calculation		A4	
Drawn JMG	Date 05/2017	Dwg No	Rev
THIRD ANGLE PROJECTION - AS 1100		SCALE:	2